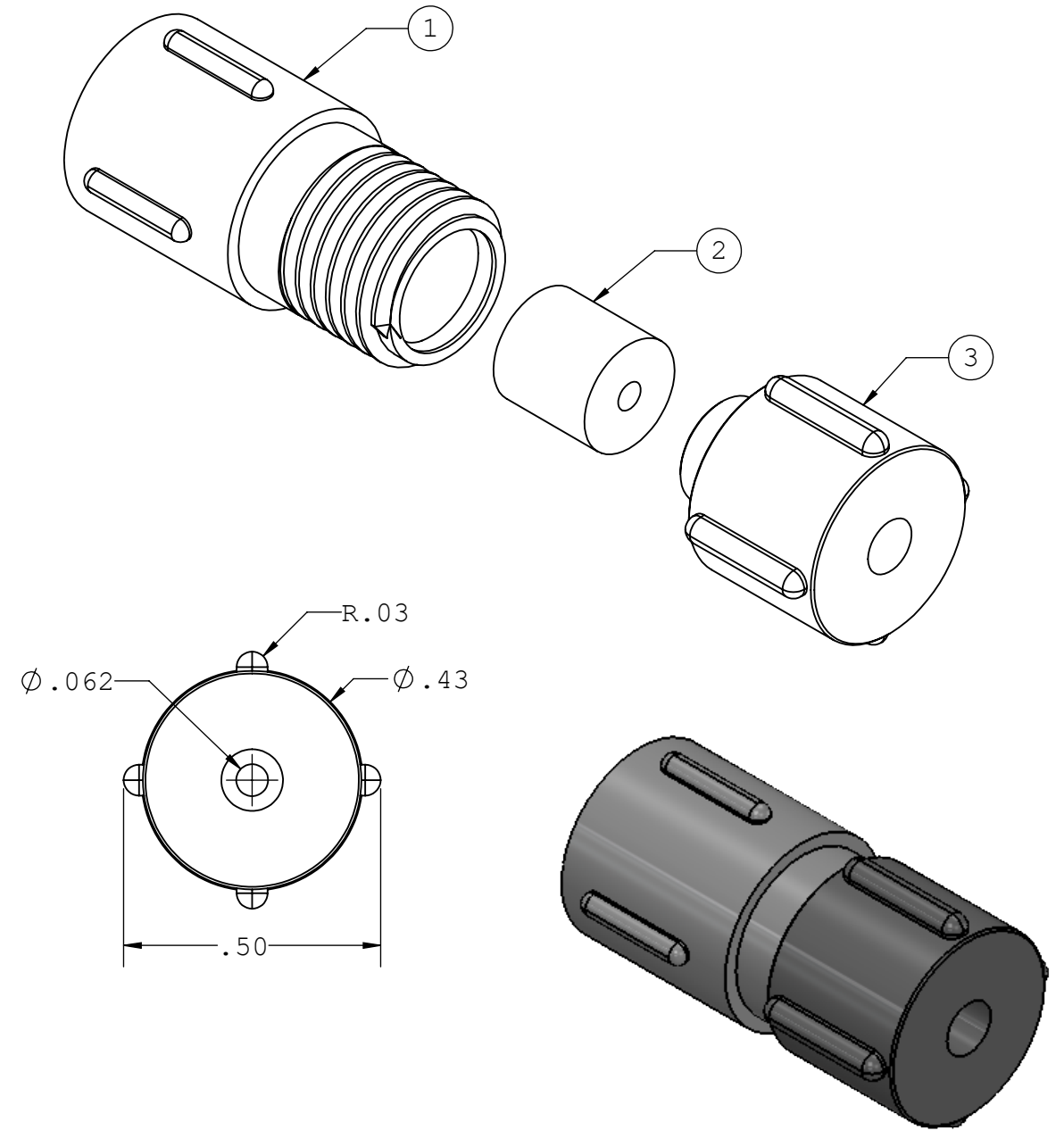
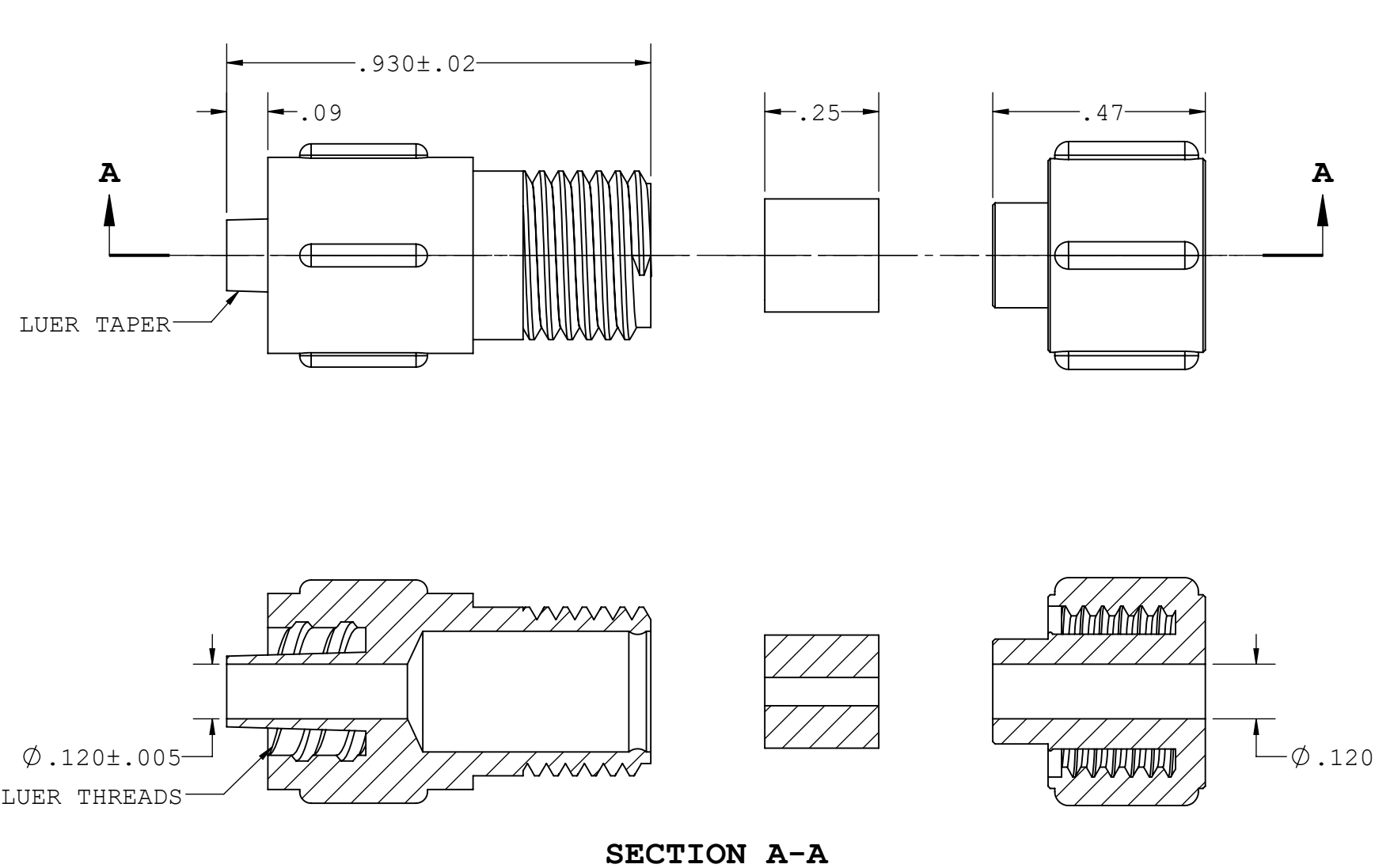


- NOTES: 1. FOR ADDITIONAL DETAILS, PLEASE CONTACT VP NEW PRODUCT DEVELOPMENT  
 2. DIMENSIONS MARKED  $\varnothing$  ARE CENTRAL DIMENSIONS  
 3. VENDOR CERTIFICATION OF COMPLIANCE REQUIRED  
 4. PART SHOWN MAY VARY SLIGHTLY IN APPEARANCE, MINOR DIFFERENCES NOT EFFECTING DIMENSIONAL CONFORMANCE ARE ACCEPTABLE

REVISIONS			
REV.	DESCRIPTION	DATE	APPROVED
A	INITIAL RELEASE	10/02/14	H.L
B	ECO 345	03-28-17	FJL
C	ECO 384	06-20-18	FJL



SECTION A-A

ASSEMBLY SKU	ITEM	DESCRIPTION	QTY
TBA2062-002	1	ADAPTER BODY W/OUT SIDEPORT - DEHP FREE, CLEAR PVC	1
	2	GASKET .062 - SILICONE	1
	3	MALE CAP - BLUE PA ABS	1

UNLESS OTHERWISE SPECIFIED DIMENSIONS ARE IN INCHES TOLERANCES ARE:		<b>VALUE PLASTICS, INC</b>			
FRACTIONS    DECIMAL    ANGULAR ±                    ±                    ± 1°		PART NUMBER: TBA2062			
.XX                ± .01 .XXX              ± .005 .XXXX             ± .001		DESCRIPTION: Tuohy Borst Adapter without Sideport, Body, Cap, 0.062" ID Gasket, DEHP Free			
DO NOT SCALE DRAWING		SIZE: <b>B</b>	SCALE: NTS	VER:	DWG. NO. 1032899
DRAWN BY: marie.morleyjahn	DATE: 6/20/2018	MANAGER: Frank.Lombardi		REV: C	
© 2017 VALUE PLASTICS, INC				SHEET: 1 OF 1	

**FOR REFERENCE ONLY**